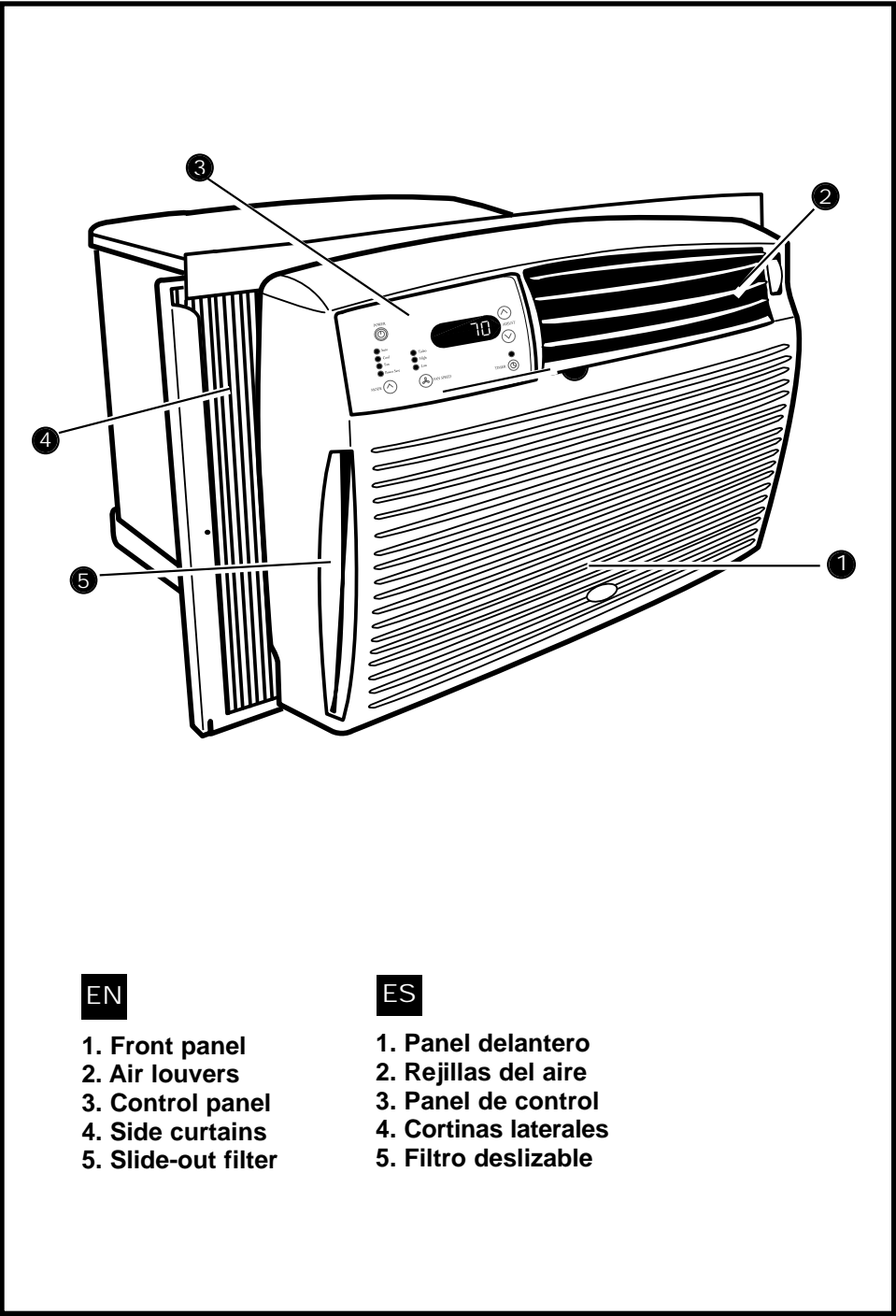


EN Use and Care Guide

ES Manual de Uso y Cuidado



EN

- 1. Front panel
- 2. Air louvers
- 3. Control panel
- 4. Side curtains
- 5. Slide-out filter

ES

- 1. Panel delantero
- 2. Rejillas del aire
- 3. Panel de control
- 4. Cortinas laterales
- 5. Filtro deslizable

ROOM AIR CONDITIONER

Table of Contents2

ACONDICIONADOR DE AIRE PARA HABITACIÓN

Contenido16

Questions regarding features, operation/performance, parts, accessories or service?

Call **1-800-253-1301**

In Canada, call **1-800-461-5681** for assistance. For installation and service, call **1-800-807-6777**.

¿Tiene alguna pregunta sobre características, operación/ desempeño, partes, accesorios o servicio?

Llame al **1-800-253-1301**

En Canadá, llame al **1-800-461-5681** para recibir asistencia. Para la instalación y el servicio, llame al **1-800-807-6777**.

EN Contents

	Page
A Note To You	2
Air Conditioner Safety	3
Important Safety Instructions	3
Air Conditioner Installation	4
Installation requirements.....	4
Tools needed.....	4
Installation parts supplied.....	5
Electrical requirements.....	5
Installing side curtains	6
Positioning air conditioner in window	6
Completing installation.....	7
Air Conditioner Use	8
Starting your air conditioner.....	8
To operate air conditioner with remote control	9
Changing air direction	9
Saving energy	9
Normal sounds	9
Air Conditioner Care.....	10
Cleaning the air filter	10
Cleaning the front panel	10
Repairing paint damage.....	10
Performing Annual Maintenance	10
Troubleshooting	11
Accessories	13
Assistance or Service	14

EN A Note To You

Thank you for buying this appliance.

To ensure you enjoy years of trouble-free operation, we developed this Use and Care Guide. It contains valuable information about how to operate and maintain your appliance properly and safely. Please read it carefully. Also, please complete and mail the Product Registration Card provided with your appliance. This card helps us notify you about any new information on your appliance.

Please record your model's information.

Whenever you call to request service on your appliance, you need to know your complete model number and serial number. You can find this information on the model and serial number label (located on the lower left corner of the front panel).

Please record the model and serial number information below. Also, record the purchase date of your appliance and the store's name, address, and telephone number.

Model Number

Serial Number

Purchase Date

Store Name

Store Address

Store Phone

Keep this book and the sales slip together for future reference.

Your safety and the safety of others are very important.

We have provided many important safety messages in this manual and on your appliance. Always read and obey all safety messages.



This is the safety alert symbol.

This symbol alerts you to potential hazards that can kill or hurt you and others.

All safety messages will follow the safety alert symbol and either the word "DANGER" or "WARNING". These words mean:

⚠ DANGER

You can be killed or seriously injured if you don't immediately follow instructions.

⚠ WARNING

You can be killed or seriously injured if you don't follow instructions.

All safety messages will tell you what the potential hazard is, tell you how to reduce the chance of injury, and tell you what can happen if the instructions are not followed.

IMPORTANT SAFETY INSTRUCTIONS**⚠ WARNING****Electrical Shock Hazard**

Plug into a grounded 3 prong outlet.

Do not remove ground prong.

Do not use an adapter.

Do not use an extension cord.

Failure to follow these instructions can result in death, fire, or electrical shock.

Help us help you

Please:

- Install your air conditioner in a window that will hold the weight, and secure the air conditioner according to the Installation Instructions.
- Connect the air conditioner to the proper kind of outlet with the correct electrical supply and ground. (See the Installation Instructions.)
- Make sure the air conditioner is the correct size for the area you want to cool.
- Use the air conditioner only to do what a window air conditioner is designed to do.
- Make sure the air conditioner is not used by anyone unable to operate it properly.
- Maintain the air conditioner properly.
- Remove the Energy Label. Use a damp cloth to take off any glue residue. DO NOT use sharp instruments, flammable fluids, or abrasive cleaners. These can damage the air conditioner finish.

EN Air Conditioner Installation

Installer: Leave Use and Care Guide with the homeowner.

Homeowner: Keep Use and Care Guide for future reference and for local electrical inspector's use, if required.

Location requirements

IMPORTANT: Observe all governing codes and ordinances.

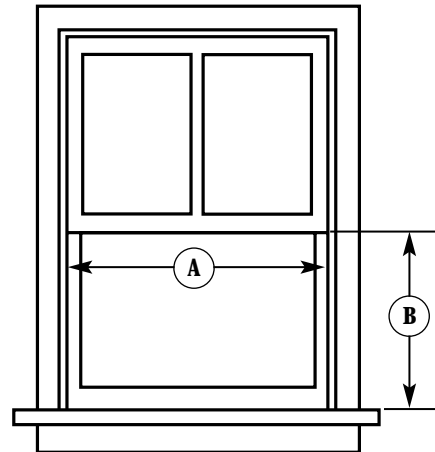
Check the location where air conditioner will be installed. Proper installation is your responsibility. Make sure you have everything necessary for correct installation.

The location should provide:

- Grounded electrical outlet within 4 ft (122 cm) of the window. Do not use an extension cord.
- Free movement of air to rooms to be cooled.
- A large enough opening for the air conditioner. Installation parts are supplied for double-hung windows.
- Adequate wall support for weight of air conditioner. Air conditioner weighs 56 lbs (25 kg) to 80 lbs (36 kg).

Do not install the air conditioner in an area where the front panel will be exposed to heat sources that will raise the panel surface temperature above 120°F (50°C).

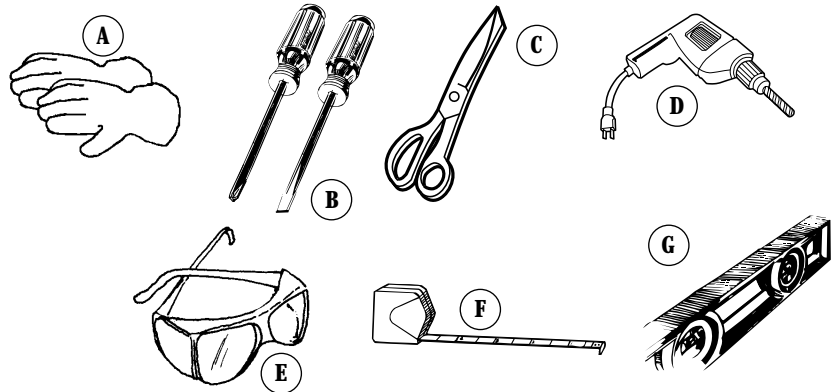
Window opening measurements



Air Conditioner Size	A	B
5000-6000 Btu/h	25" to 38" (63.5 cm to 96.5 cm)	16" (40.6 cm)

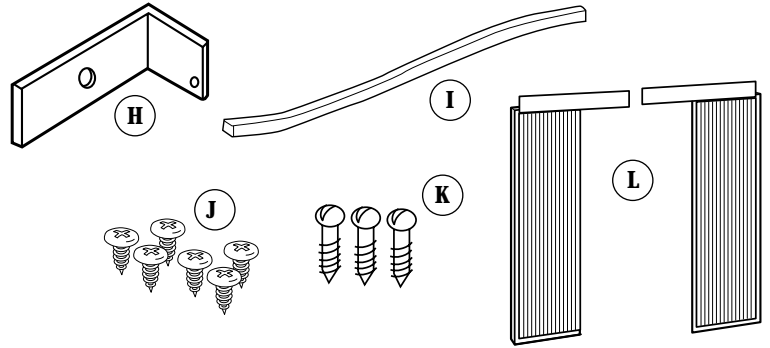
Tools needed

- A. Gloves
- B. Flat-blade and Phillips screwdrivers
- C. Scissors
- D. Drill and 3/32 in. or smaller bit
- E. Safety glasses
- F. Tape measure
- G. Level



Installation parts supplied

- H. 1 Window-lock bracket
- I. 1 foam seal
- J. 6 #10 x 3/8 in. Phillips-head screws
- K. 3 3/4 in. slotted round-head screws
- L. 2 side curtains



Electrical requirements

WARNING

Electrical Shock Hazard
Plug into a grounded 3 prong outlet.
Do not remove ground prong.
Do not use an adapter.
Do not use an extension cord.
Failure to follow these instructions can result in death, fire, or electrical shock.

Recommended ground method

For your personal safety, this air conditioner must be grounded. This air conditioner is equipped with a power supply cord having a 3-prong ground plug. To minimize possible shock hazard, the cord must be plugged into a mating, 3-prong ground-type outlet, grounded in accordance with all local codes and ordinances. If a mating outlet is not available, it is the customer's responsibility to have a properly grounded, 3-prong outlet installed by a licensed installer. It is the customer's responsibility:

- To contact a qualified electrical installer.
- To assure that the electrical installation is adequate and in conformance with National Electrical Code, ANSI/NFPA 70 — latest edition*, and all local codes and ordinances.

Copies of the standards listed may be obtained from:

* National Fire Protection Association
 Batterymarch Park
 Quincy, Massachusetts 02269

Specific electrical requirements are listed in the chart. Follow the requirements for the type of plug on the power supply cord.

Wiring requirements

Power supply cord plug outlet	Wiring requirements
	<ul style="list-style-type: none"> • 3-wire • Single-phase • AC only • 60 hertz • 115 volt (103.5 min. - 126.5 max.) • 0-12 amperes • 15-amp time-delay fuse or circuit breaker • 14 gauge copper wiring

Installing side curtains

⚠ WARNING

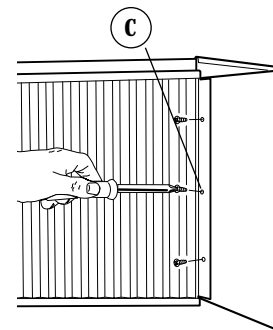
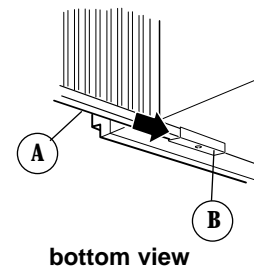
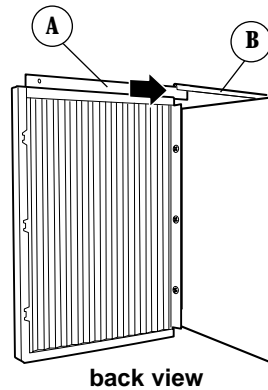
Excessive Weight Hazard

Use two or more people to move and install air conditioner.

Failure to do so can result in back or other injury.

Attach curtains to unit before placing unit in window.

1. Remove unit from packaging.
2. Locate supplied bag of 6 screws.
3. Insert top and then bottom of right curtain housing (A) in top and bottom curtain guides (B) on air conditioner.
4. Extend right curtain outward so you may insert the first screw (C) through the middle hole of the curtain. Screw curtain to middle hole in air conditioner cabinet. This screw is required to correctly attach curtain (top to bottom) to the air conditioner cabinet.
5. While the right curtain is still extended, insert another screw (C) in top slot of curtain. Screw curtain to top hole in air conditioner cabinet.
6. While the right curtain is still extended, insert another screw (C) in bottom slot of curtain. Screw curtain to bottom hole in air conditioner cabinet.
7. Slide curtain housing into guides as far as it will go.
8. Repeat above steps for left curtain, then go to "Positioning the air conditioner" below.



Positioning air conditioner in window

⚠ WARNING

Excessive Weight Hazard

Use two or more people to move and install air conditioner.

Failure to do so can result in back or other injury.

1. Using two people, lift air conditioner into place.

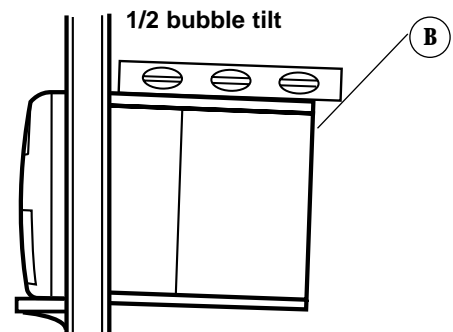
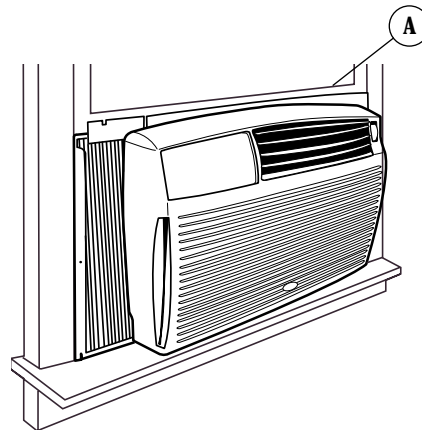
NOTES:

- Handle air conditioner with care.
- Air conditioner should be placed no more than 4 ft (122 cm) from a grounded outlet.

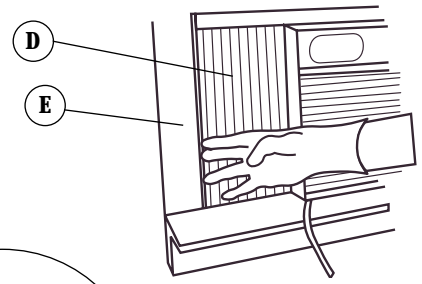
2. Center air conditioner in window. Check that lower rail of air conditioner is behind and against back side of window seal. Lower window sash (A) to hold cabinet in place.

NOTES:

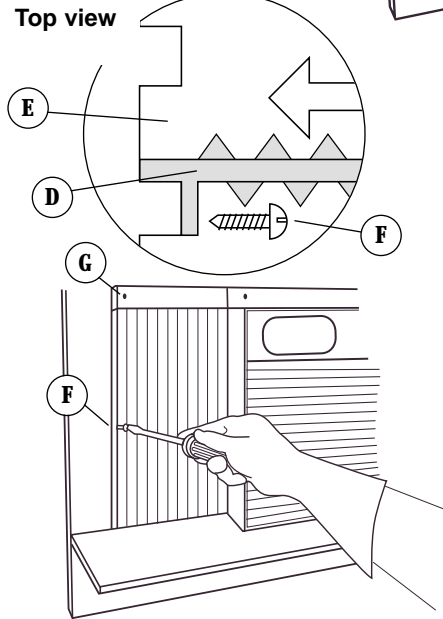
- Do not block the louvers in the front panel.
 - Do not block the openings on the outside of the air conditioner.
3. Check that air conditioner cabinet is tilted to the outside so that water will run to the outside. There should be a tilt to the outside of about 1/2 bubble (B). If cabinet is not properly positioned, reposition or shim cabinet to provide the proper tilt.



4. Pull left curtain (**D**) out until it fits into the window channel (**E**). Repeat with right curtain.



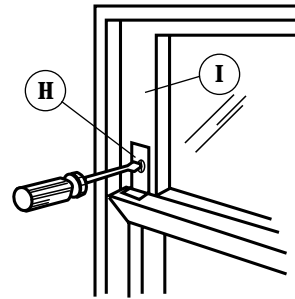
5. Insert one of the slotted round-head screws (**F**) through left curtain and into the window channel or through alternate hole (**G**) at the top of the curtain and into the window channel to fasten the curtain to the window sash. Repeat for right curtain.



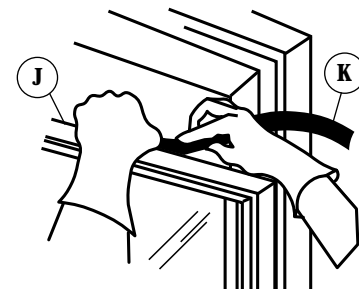
Completing installation

NOTE: Install window-lock bracket to prevent air conditioner from falling out of window.

1. Place window-lock bracket (**H**) on top of lower window and against upper window sash (**I**).
2. Use a 3/32 in. drill bit to drill a starter hole through the hole in the bracket.
3. Attach window-lock bracket by inserting one of the slotted round-head screws through the window lock bracket (**H**) and into the upper window sash (**I**).



4. Insert foam seal (**J**) behind the top of the lower window sash (**K**) and against the glass of the upper window.
5. Plug power cord into outlet.



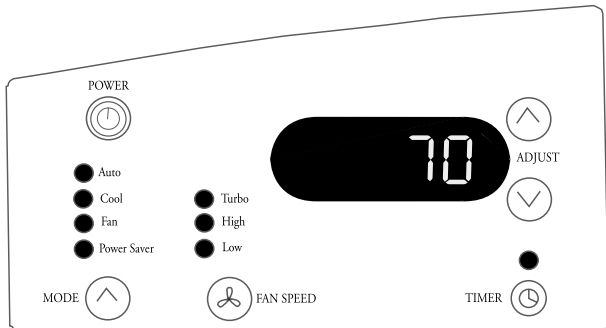
EN Air Conditioner Use

Operating your air conditioner properly helps you to obtain the best possible results. This section explains proper air conditioner operation.

IMPORTANT:

- If you turn the air conditioner off and then turn the unit back on, the fan will come on, but the compressor will remain off for 3 minutes before turning back on. This prevents the air conditioner from blowing a fuse or tripping a circuit breaker.
- Do not try to operate your air conditioner in the cooling mode when outside temperature is below 65°F (18°C). The inside evaporator coil will freeze up, and the air conditioner will not operate properly.

Starting your air conditioner



Press Power ON/OFF to turn on air conditioner. When the unit is turned on, it will display the previous settings for the MODE, FAN SPEED and temperature.

TEMPERATURE SELECTION

Press ▲ to raise the temperature. Each time you press or hold ▲, the temperature will go up 1° until it reaches 86°F (30°C).

Press ▼ to lower the temperature. Each time you press or hold ▼, the temperature will go down 1° until it reaches 64°F (18°C).

MODE SELECTION

Press MODE until you see the indicator light come on for the setting you want. Choose AUTO, COOL, FAN or POWER SAVER.

AUTO – Cools room while it automatically controls fan speed. You cannot change fan speed, but you can adjust temperature by pressing ▲ or ▼.

COOL – Cools room. You can select fan speed by pressing FAN SPEED. You can then adjust temperature by pressing ▲ or ▼.

FAN – Fan runs on TURBO speed only. Only the fan runs. Display shows "FO" (fan only).

POWER SAVER – Fan and compressor run only when cooling is needed. Fan stops running when the room temperature matches the temperature you set.

Press FAN SPEED until you see the indicator light for the setting you want. Choose TURBO, HIGH or LOW.

Select the temperature by pressing ▲ or ▼.

FAN SPEED SELECTION

NOTE: FAN SPEED button will operate only when COOL or POWER SAVER mode has been selected.

Press FAN SPEED until you see the indicator light for the setting you want. Choose TURBO, HIGH or LOW.

TIMER DELAY

The TIMER can be set for a 1 to 24 hour delay until the air conditioner turns on or off.

Press ▲ or ▼ to adjust the delay time.

To set the TIMER delay to turn the air conditioner off, air conditioner must be in the ON mode.

Press TIMER. (Indicator light will flash.)

Press ▲ or ▼ to change delay time (1 to 24 hours).

Press TIMER or wait 10 seconds. (Indicator light will remain on.)

To set the TIMER delay to turn the air conditioner on, air conditioner must be in the OFF mode.

If you want to change the previous settings:

Turn air conditioner on.

Adjust MODE to AUTO, COOL, FAN, or POWER SAVER.

Adjust FAN SPEED to TURBO, HIGH or LOW.

Adjust TEMPERATURE between 64°F (18°C) and 86°F (30°C).

Turn air conditioner off.

Press TIMER. (Indicator light will flash.)

Press ▲ or ▼ to change delay time (1 to 24 hours).

Press TIMER or wait 10 seconds.

If you want to keep the previous settings:

Turn air conditioner off.

Press TIMER. (Indicator light will flash.)

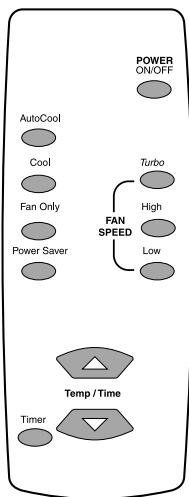
Press ▲ or ▼ to change delay time (1 to 24 hours).

Press TIMER or wait 10 seconds.

To clear TIMER delay program, press and hold TIMER for 3 seconds. Indicator light will shut off. Air conditioner can be either on or off.

To see the remaining time (in hours), press TIMER once after it has been programmed. While the display is showing the remaining time, you can press ▲ or ▼ to increase or decrease the time.

To operate air conditioner with remote control



NOTE: Two AA batteries (not included) power the remote control. Replace batteries after six months of use, or when the remote control starts to lose power. Be sure to install batteries with correct polarity.

NOTE: In the event of a power failure, your air conditioner will operate at the previous settings when the power is restored.

To select the mode: Press the AutoCool, Cool, Fan Only, or Power Saver button. When air conditioner is operating in AutoCool mode, fan speed is adjusted automatically. When air conditioner is operating in Fan Only mode, fan speed is automatically set at Turbo. When air conditioner is operating in Cool or Power Saver mode, you can adjust the fan speed.

To select the fan speed (in Cool or Power Saver mode only): Press the Turbo, High or Low button.

To set Timer for a 1 to 24 hour delay until air conditioner turns on (air conditioner must be in OFF mode):

1. Press the Timer button.
2. Press the ▲ button to change delay time (1 to 24 hours).
3. Press the Timer button again or wait 10 seconds.

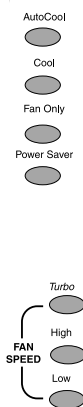
To set Timer for a 1 to 24 hour delay until air conditioner turns off (air conditioner must be in ON mode):

1. Press the Timer button.
2. Press the ▲ button to change delay time (1 to 24 hours).
3. Press the Timer button again or wait 10 seconds.

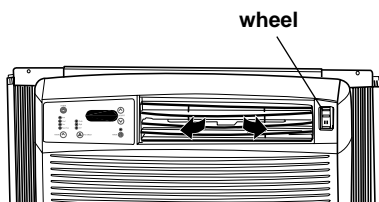
To turn the air conditioner on or off: Press the POWER ON/OFF button.

To raise the temperature: Press the ▲ button. Each time you press or hold the ▲ button, the temperature will go up 1° until it reaches 86°F (30°C).

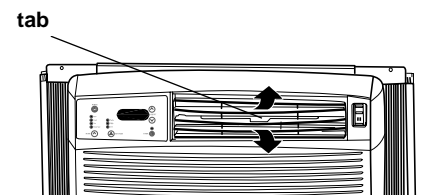
To lower the temperature: Press the ▼ button. Each time you press or hold the ▼ button, the temperature will drop 1° until it reaches 64°F (18°C).



Changing air direction



The louvers in the top of the front panel allow you to control the direction of the cooled air. Roll the wheel up or down to direct the air left or right. Use the tabs to move the whole cartridge to direct air up, down or straight ahead.



Saving energy

Along with using POWER SAVER (some models), there are many things you can do to help save energy.

- Improve your home's insulation. Seal doors and windows. Close fireplace flue.
- Close blinds or drapes on the sunny side of your house. Add awnings.
- Make sure drapes or furniture do not block airflow from your air conditioner.
- Turn lights and appliances off when they are not needed.
- Ventilate your attic. High temperatures in the attic add to the air conditioner's cooling load.
- Try not to use heat-producing appliances during the hottest part of the day.
- Keep heat registers and cool-air returns closed.
- Use exhaust vent fans while cooking, doing laundry, or bathing.

Normal sounds

When your air conditioner is operating normally, you may hear sounds such as:

- Droplets of water hitting the condenser, causing a "pinging" or "clicking" sound. The water droplets help cool the condenser.
- Air movement from the fan.
- Clicks from the thermostat cycle.
- Vibrations or noise due to poor wall or window construction.
- A high-pitched hum or pulsating noise caused by the modern high-efficiency compressor cycling on and off.

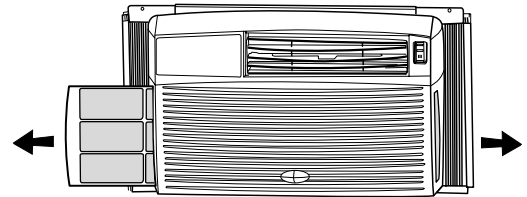
EN Air Conditioner Care

Your new air conditioner is designed to give you many years of dependable service. This section tells you how to clean and care for your air conditioner properly. Call your local authorized dealer for an annual checkup. Remember... the cost of this service call is your responsibility.

Cleaning the air filter

The air filter is removable from either side of the unit for easy cleaning. A clean filter helps remove dust, lint, and other particles from the air and is important for best cooling operating efficiency. Check the filter every 2 weeks to see if it needs cleaning. Do not operate the air conditioner without the filter in place.

1. Unplug air conditioner or disconnect power.
2. Slide air filter out from either side of unit.
3. Use a vacuum cleaner to clean air filter. If air filter is very dirty, wash it in warm water with a mild detergent. Do not wash air filter in the dishwasher or use any chemical cleaners. Air dry filter completely before replacing to ensure maximum efficiency.
4. Slide air filter back into either side of unit.
5. Plug in air conditioner or reconnect power.



Filter may be removed from either side.

Cleaning the front panel

1. Unplug air conditioner or disconnect power.
2. Wipe the front panel with a soft, damp cloth.
3. Air dry front panel completely.
4. Plug in air conditioner or reconnect power.

Repairing paint damage

Check once or twice a year for paint damage. This is very important, especially in areas near oceans or where rust is a problem. If needed, touch up with a good grade enamel paint.

NOTE: To reduce paint damage during the winter, install a heavy-duty cover over air conditioner cabinet. For information on ordering a heavy-duty cover, see "Accessories."

Performing annual maintenance

Your air conditioner needs annual maintenance to help ensure steady, top performance throughout the year. Call your local authorized dealer to schedule an annual checkup. The expense of an annual inspection is your responsibility.

EN Troubleshooting

You can solve many common air conditioner problems easily, saving you the cost of a service call. Try the suggestions below to see if you can solve your problem without outside help.

Air conditioner will not operate.

Check if ...	Then ...
The power supply cord is unplugged.	Firmly plug the power supply cord into a live outlet with proper voltage.
A household fuse has blown or circuit breaker has tripped.	Replace the fuse or reset the circuit breaker. Make sure the air conditioner is plugged into a properly grounded outlet as described in the Installation Instructions.
The FAN SPEED is turned to the off position (some models).	Turn the FAN SPEED to an active setting.
The local power has failed.	Wait for power to be restored.

Air conditioner blows fuses or trips circuit breakers.

Check if ...	Then ...
Too many appliances are being used on the same circuit.	Unplug or relocate appliances that share the same circuit.
Time-delay fuse or circuit breaker of the wrong capacity is being used.	Replace with a 15-amp time-delay fuse or circuit breaker of the correct capacity. See "Electrical requirements" in the Installation Instructions for the correct capacity.
An extension cord is being used.	Do not use an extension cord with this or any other appliance.
You are trying to restart the air conditioner too soon after turning FAN SPEED off (or unplugging air conditioner on some models).	Wait at least 3 minutes after turning FAN SPEED off before trying to restart the air conditioner.

Air conditioner seems to run too much.

Check if ...	Then ...
The current air conditioner replaced an older model.	The use of more efficient components may cause the air conditioner to run longer than an older model, but the total energy consumption will be less. Newer air conditioners do not emit the "blast" of cold air you may be accustomed to from older units, but this IS NOT an indication of lesser cooling capacity or efficiency. Refer to the efficiency rating (EER) and capacity rating (in BTUs/hr.) marked on the air conditioner.
The air conditioner is in a heavily occupied room or heat-producing appliances are in use in the room.	Use exhaust vent fans while cooking or bathing and try not to use heat-producing appliances during the hottest part of the day. A higher capacity air conditioner may be required depending on the size of the room being cooled.

Air conditioner cycles on and off too much.

Check if ...	Then ...
FAN CONTROL is set to POWER SAVER (some models).	Use POWER SAVER only when you are away from home or asleep, since the fan does not circulate the room air continuously. Use LOW COOL, HIGH COOL or TURBO COOL for your best comfort.
The air conditioner is not properly sized for your room.	Check the cooling capabilities of your room air conditioner. Room air conditioners are not designed to cool multiple rooms.
The filter is dirty or obstructed by debris.	Clean the filter. See "Cleaning the air filter."
There is excessive heat or moisture (open container cooking, showers, etc.) in the room.	Use a fan to exhaust heat or moisture from the room. Try not to use heat-producing appliances during the hottest part of the day.
The louvers are blocked.	Install the air conditioner in a location where the louvers are free from curtains, blinds, furniture, etc.
The outside temperature is below 65°F (18°C).	Do not try to operate your air conditioner in the cooling mode when the outside temperature is below 65°F (18°C).
The temperature of the room you are trying to cool is extremely hot.	Allow extra time for the air conditioner to cool off a very hot room.
Windows or doors to the outside are open.	Close all windows and doors.
The TEMPERATURE Control is not at a cool enough setting.	Adjust the TEMPERATURE Control to a cooler setting by turning the knob clockwise. Turn FAN SPEED to TURBO COOL (some models).
The air conditioner is installed on the sunny side of your house.	Install your air conditioner in a more shaded window.

Water drips from cabinet into your house.

Check if ...	Then ...
The air conditioner is not properly leveled. The air conditioner should slope slightly downward toward the outside.	Level the air conditioner to provide a downward slope toward the outside (1/2 bubble on a carpenter's level) to ensure proper drainage. See the Installation Instructions. Reposition or shim the cabinet as necessary. NOTE: Do NOT drill a hole in the bottom of the metal base and condensate pan.

EN Accessories

You can order the following accessories for your air conditioner from your local authorized dealer or by calling the numbers below.

In the U.S.A.

To order accessories, call the Customer Interaction Center toll-free at **1-800-53-1301** or visit our website at **www.applianceaccessories.com**. You will hear a recording. Follow the instructions to place an order.

In Canada

To order accessories, call toll-free at **1-800-807-6777**.

Replacement air filters

A good, clean air filter is important for best cooling with least energy consumption. Your air filter should be cleaned regularly. See “Air Conditioner Care” section for cleaning instructions.

Heavy-duty cover

If you decide to leave your air conditioner installed during the winter, a heavy-duty cover will help protect your air conditioner and reduce drafts. The cover protects against cold drafts through the unit's air passages and protects the cabinet from snow, rain, sleet, rust, and dust.

EN Assistance or Service

To avoid unnecessary service calls, please check the "Troubleshooting" section. It may save you the cost of a service call. If you still need help, follow the instructions below.

If you need assistance or service

In the U.S.A.:

Call the Customer Interaction Center telephone number. Dial toll-free **1-800-253-1301**. Our consultants are available to assist you.

In Canada:

For assistance, call the Customer Interaction Center telephone number toll-free at **1-800-461-5681** Monday to Friday 8:00 a.m. - 6:00 p.m. (EST), Saturday 8:30 a.m. - 4:30 p.m. (EST).

For service, call **1-800-807-6777**. Designated service technicians are trained to fulfill the product warranty and provide after-warranty service, anywhere in Canada.



When calling: Please know the purchase date, and the complete model and serial number of your appliance (see the "A Note to You" section).

This information will help us better respond to your request.

Our consultants provide assistance with:

- Features and specifications on our full line of appliances
- Installation information
- Use and maintenance procedures
- Accessory and repair parts sales
- Specialized customer assistance (Spanish speaking, hearing impaired, limited vision, etc.)
- Referrals to local dealers, service companies, and repair parts distributors

Our service technicians are trained to fulfill the product warranty and provide after-warranty service, anywhere in the United States.

To locate the authorized service company in your area, you can also look in your telephone directory Yellow Pages.

If you need replacement parts

If you need to order replacement parts, we recommend that you only use factory-authorized parts. These parts will fit right and work right, because they are made to the same exacting specifications used to build every new appliance.

To locate factory-authorized parts in your area, call our Customer Interaction Center telephone number, your nearest authorized service center, or Factory Service at **1-800-253-1301**, or in Canada, **1-800-807-6777**.

For further assistance

If you need further assistance, you can write to ask any questions or tell us about your concerns to:

Customer Interaction Center
553 Benson Road
Benton Harbor, MI 49022-2692

Or in Canada:

Customer Interaction Center
1901 Minnesota Court
Mississauga, Ontario L5N 3A7

Please include a daytime phone number in your correspondence.

ES Contenido

	Página
Una Nota Para Usted	15
Seguridad del Acondicionador de Aire	16
Instrucciones Importantes de Seguridad	16
Instalación del Acondicionador de Aire	17
Requisitos para la ubicación.....	17
Herramientas necesarias	17
Piezas suministradas para la instalación	18
Requisitos eléctricos.....	18
Instalación de las cortinas laterales.....	19
Colocación del acondicionador de aire en la ventana	19
Para completar la instalación.....	20
Cómo Usar Su Acondicionador de Aire.....	21
Cómo poner en marcha su acondicionador de aire	21
Para poner en marcha el acondicionador de aire con el control remoto	22
Cómo cambiar la dirección del aire.....	23
Ahorro de energía	23
Ruidos normales	23
Cómo Cuidar su Acondicionador de Aire.....	24
Limpieza del filtro de aire	25
Limpieza del panel delantero	25
Reparación de la pintura dañada	25
Mantenimiento anual	25
Diagnóstico de Problemas	24
Accesorios	26
Ayuda o Servicio Técnico	27

ES Una Nota Para Usted

Gracias por seleccionar este aparato.

Para asegurarnos que este aparato funcione durante muchos años sin problemas, hemos diseñado este Manual de Uso y Cuidado. Contiene valiosa información sobre cómo operar y dar mantenimiento a su aparato debidamente y sin peligro. Por favor, léalo detenidamente. Asimismo, llene por favor y envíe por correo la Tarjeta de Registro del Producto que viene con su aparato. Esta tarjeta nos ayudará a notificarle cualquier información nueva sobre su aparato.

Por favor anote la información sobre su modelo.

Siempre que llame para solicitar servicio del aparato, necesitará saber el número del modelo y el número de serie completos. Esta información la encuentra en la placa de número del modelo y número de serie.

Por favor anote la información sobre el número del modelo y el número de serie que se incluye abajo. Anote también la fecha de compra del aparato, así como el nombre, la dirección y el teléfono de la tienda.

Número del modelo

Número de serie

Fecha de compra

Nombre de la tienda

Dirección de la tienda

Teléfono de la tienda

Guarde este manual y la nota de compra juntos, para referencia futura.

ES Seguridad del Acondicionador de Aire

Su seguridad y la seguridad de los demás es muy importante.

Hemos incluido muchos mensajes importantes de seguridad en este manual y en su electrodoméstico. Lea y obedezca siempre todos los mensajes de seguridad



Este es el símbolo de advertencia de seguridad.

Este símbolo le llama la atención sobre peligros potenciales que pueden ocasionar la muerte o una lesión a usted y a los demás.

Todos los mensajes de seguridad irán a continuación del símbolo de advertencia de seguridad y de la palabra "PELIGRO" o "ADVERTENCIA". Estas palabras significan:

! PELIGRO

Si no sigue las instrucciones de inmediato, usted puede morir o sufrir una lesión grave.

! ADVERTENCIA

Si no sigue las instrucciones, usted puede morir o sufrir una lesión grave.

Todos los mensajes de seguridad le dirán el peligro potencial, le dirán cómo reducir las posibilidades de sufrir una lesión y lo que puede suceder si no se siguen las instrucciones.

INSTRUCCIONES IMPORTANTES DE SEGURIDAD

! ADVERTENCIA



Peligro de Choque Eléctrico

Conecte a un contacto de pared de conexión a tierra de 3 terminales.

No quite el terminal de conexión a tierra.

No use un adaptador.

No use un cable eléctrico de extensión.

No seguir estas instrucciones puede ocasionar la muerte, incendio o choque eléctrico.

Ayúdenos a ayudarlo

Por favor:

- Instale el acondicionador de aire en una ventana que soporte el peso y asegúrelo de acuerdo con las instrucciones de instalación.
- Conecte la unidad al tipo apropiado de tomacorriente con el suministro eléctrico y puesta a tierra correctos. (Ver la Instrucciones de Instalación.)
- Asegúrese de que la unidad tenga el tamaño correcto para el área que usted desea enfriar.
- Utilice la unidad únicamente para los fines para los que está diseñado un acondicionador de aire para ventana.
- Asegúrese de que la unidad sea usada únicamente por personas capacitadas para operarla debidamente.
- Dé a la unidad el mantenimiento debido.
- Quite también la etiqueta de energía. Utilice un paño húmedo para eliminar cualquier resto de goma. NO use instrumentos afilados, líquidos inflamables o limpiadores abrasivos. Estos pueden dañar el acabado del acondicionador de aire.

Instalador: Deje el manual de uso y cuidado con el propietario.

Propietario: Conserve este manual de uso y cuidado para referencia futura y para uso del inspector eléctrico de su localidad, si fuera necesario.

Requisitos para la ubicación

IMPORTANTE: Observe todos los códigos y reglamentos aplicables.

Verifique el lugar donde se instalará el acondicionador de aire. La instalación correcta es su responsabilidad.

Asegúrese de que usted tiene todo lo necesario para una instalación correcta.

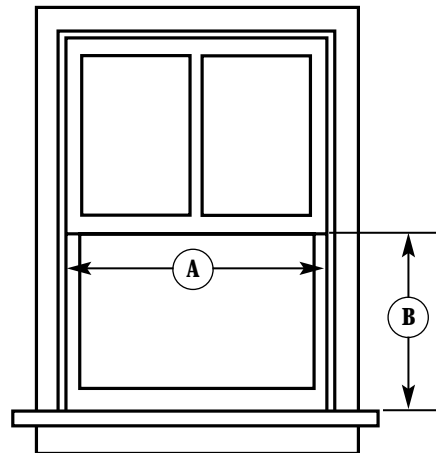
El lugar debe tener:

- Tomacorriente puesto a tierra a cuatro pies (122 cm) de la ventana. No use un cordón de extensión.
- Libertad de movimiento del aire a las habitaciones que desea enfriar.
- Una abertura con la amplitud suficiente para el acondicionador de aire. Se incluyen piezas de instalación para ventanas de guillotina.
- Soporte adecuado en la pared para el peso del acondicionador de aire. El acondicionador de aire pesa de 56 libras (25 kg) a 80 libras (36 kg).

No instale el acondicionador de aire en un área donde el panel delantero esté expuesto a fuentes de calor que aumenten la temperatura de la superficie del panel a un nivel superior a los 120°F (50°C).

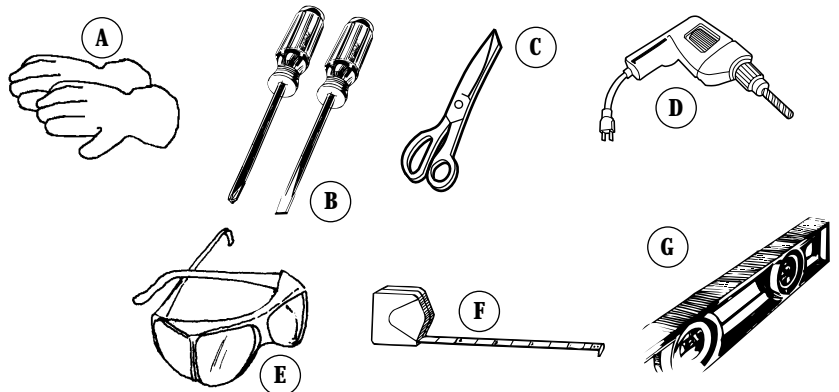
Dimensiones del acondicionador de aire	A	B
5000-6000 Btu/h	25" a 38" (63,5 cm a 96,5 cm)	16" (40,6 cm)

Medidas de la abertura de la ventana



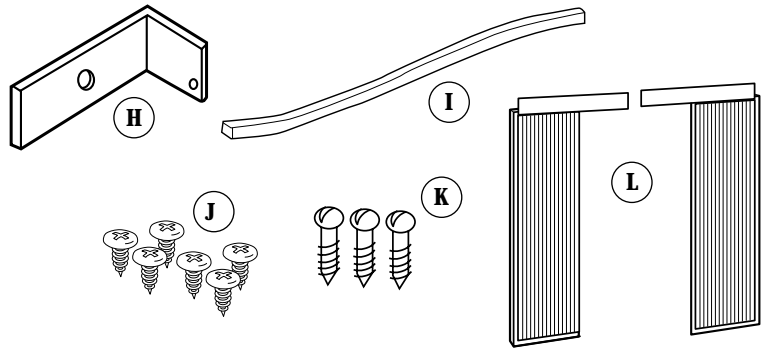
Herramientas necesarias

- A. Guantes
- B. Destornilladores Phillips y de hoja plana
- C. Tijera
- D. Taladro y una broca de 3/32 pulg. o más pequeña
- E. Anteojos protectores
- F. Cinta para medir
- G. Nivel



Piezas suministradas para la instalación

- H. 1 Soporte de seguridad para la ventana
- I. 1 obturador de espuma
- J. 6 Tornillos Phillips, de #10 x 3/8 pulg.
- K. 3 Tornillos de cabeza redonda ranurados de 3/4 pulg.
- L. 2 cortinas laterales



Requisitos eléctricos

⚠ ADVERTENCIA



Peligro de Choque Eléctrico

Conecte a un contacto de pared de conexión a tierra de 3 terminales.

No quite el terminal de conexión a tierra.

No use un adaptador.

No use un cable eléctrico de extensión.

No seguir estas instrucciones puede ocasionar la muerte, incendio o choque eléctrico.

Requisitos de cableado

Los requerimientos eléctricos específicos se indican en la tabla. Siga los requerimientos para el tipo de enchufe en el cordón de alimentación eléctrica.

Tomacorriente para la clavija del cordón eléctrico	Requisitos de cableado
	<ul style="list-style-type: none"> • De 3 alambres • Monofásico • CA solamente • 60 hertzios • 115 voltios (103,5 mín. - 126,5 máx.) • 0-12 amperios • Fusible de retardo de 15 amperios o disyuntor • Alambre de cobre calibre #14

Método recomendado para la puesta a tierra

Para su seguridad personal, este acondicionador de aire debe ser puesto a tierra. Este acondicionador de aire está equipado con un cordón eléctrico provisto de un enchufe con clavija tripolar de conexión a tierra. Para reducir a un mínimo el riesgo posible de un choque eléctrico, el cordón debe enchufarse en un tomacorriente mural para clavija con 3 terminales que coincidan con los polos de la clavija, puesto a tierra de acuerdo con todos los códigos y reglamentos locales. Si no se dispone de un tomacorriente para clavija tripolar, es responsabilidad del cliente hacer instalar un tomacorriente para clavija con tres terminales debidamente puesto a tierra por un electricista con licencia.

Es responsabilidad del cliente:

- Llamar a un instalador eléctrico calificado.
- Asegurarse de que la instalación eléctrica sea adecuada y esté hecha de acuerdo con el Código Nacional de Energía, ANSI/NFPA 70, última edición*, y todos los códigos y reglamentos locales.

Pueden obtenerse copias de las normas señaladas del:

* National Fire Protection Association
 Batterymarch Park
 Quincy, Massachusetts 02269

Instalación de las cortinas laterales

⚠ ADVERTENCIA

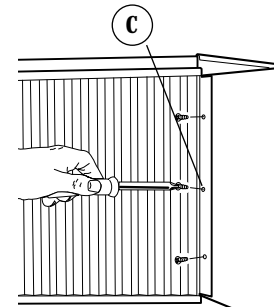
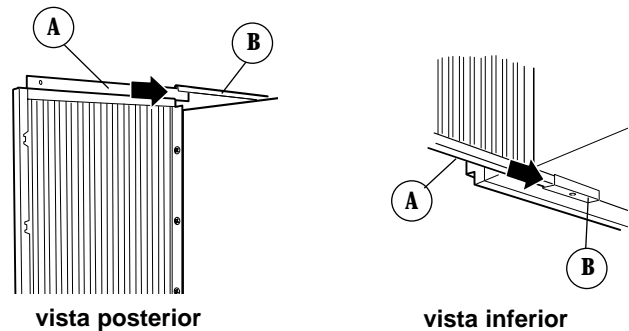
Peligro de Peso Excesivo

Se necesitan dos personas o más para mover e instalar al acondicionador de aire.

No seguir esta instrucción puede ocasionar una lesión en la espalda u otro tipo de lesión.

Sujete las cortinas a la unidad antes de colocar la unidad en la ventana.

1. Quite la unidad del embalaje.
2. Ubique la bolsa provista con 6 tornillos.
3. Inserte la parte superior y luego la parte inferior del alojamiento de la cortina derecha (A) en las guías superior e inferior para cortinas (B) en el acondicionador de aire.
4. Extienda la cortina derecha hacia fuera de manera que pueda insertar el primer tornillo (C) a través del orificio del medio de la cortina. Atornille la cortina al orificio del medio en el gabinete del acondicionador de aire. Se requiere este tornillo para ajustar correctamente la cortina (de arriba hacia abajo) al gabinete del acondicionador de aire.
5. Con la cortina derecha todavía extendida, inserte otro tornillo (C) en la ranura superior de la cortina. Atornille la cortina al orificio superior en el gabinete del acondicionador de aire.
6. Con la cortina derecha todavía extendida, inserte otro tornillo (C) en la ranura inferior de la cortina. Atornille la cortina al orificio inferior en el gabinete del acondicionador de aire.
7. Deslice el alojamiento de la cortina en las guías lo más lejos posible.
8. Repita los pasos anteriores para la cortina izquierda, luego vaya a "Colocación del acondicionador de aire" más abajo.



Colocación del acondicionador de aire en la ventana

⚠ ADVERTENCIA

Peligro de Peso Excesivo

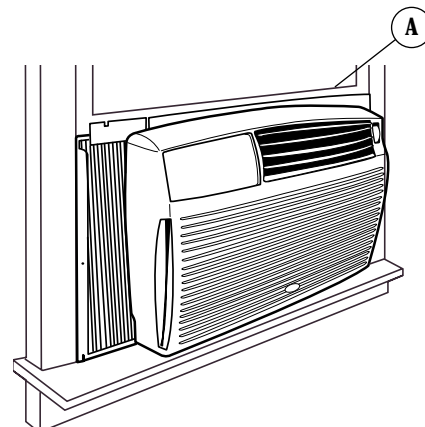
Se necesitan dos personas o más para mover e instalar al acondicionador de aire.

No seguir esta instrucción puede ocasionar una lesión en la espalda u otro tipo de lesión.

1. Se necesitarán dos personas para levantar el acondicionador de aire y colocarlo en su lugar.

NOTAS:

- Trate el acondicionador de aire con cuidado.
 - El acondicionador de aire debe colocarse a no más de cuatro pies (122 cm) de un tomacorriente puesto a tierra.
2. Centre el acondicionador de aire en la ventana. Verifique que el riel inferior del acondicionador de aire se encuentre detrás y contra la parte posterior del obturador de la ventana. Baje el marco de la ventana (A) para sostener el gabinete en su lugar.

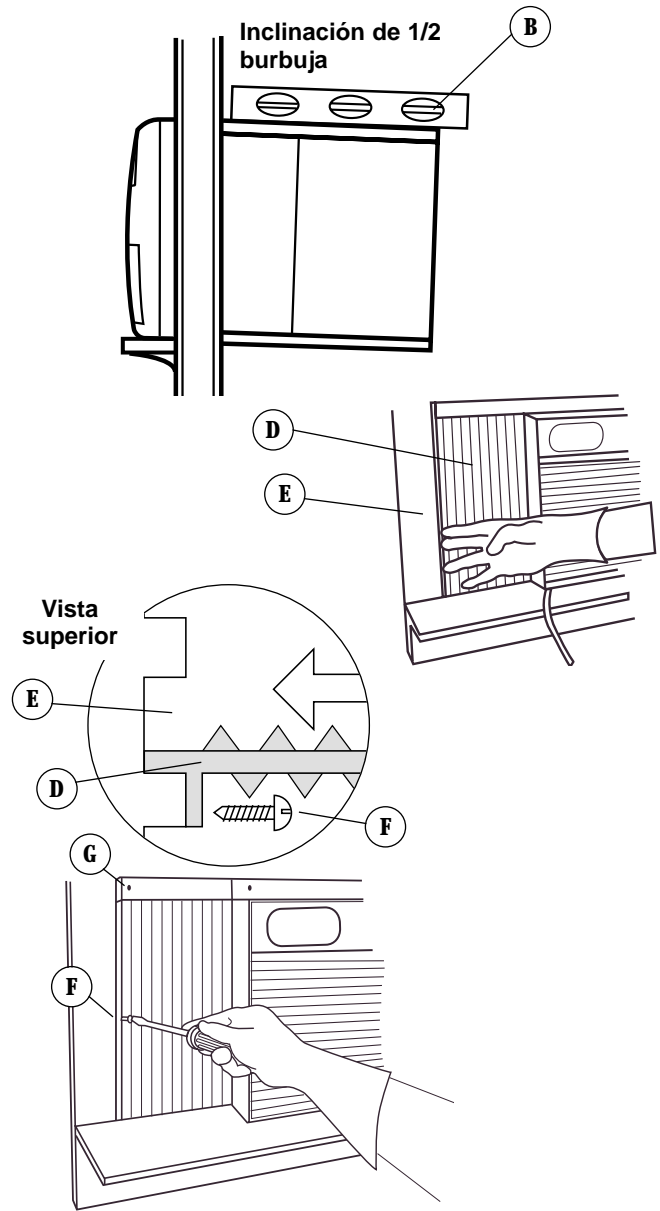


NOTAS:

- No bloquee las rejillas que están en el panel delantero.
 - No bloquee las aberturas que están en el exterior del acondicionador de aire.
3. Verifique que el acondicionador de aire esté inclinado hacia el exterior de manera que el agua corra hacia afuera. El gabinete debe inclinarse hacia afuera aproximadamente 1/2 nivel **(B)**. Si el gabinete no está debidamente inclinado, inclínelo correctamente o coloque una planchita de relleno debajo del gabinete para asegurar la debida inclinación.

4. Jale la cortina izquierda **(D)** hacia afuera hasta que encaje en la ranura de la ventana **(E)**. Repita el procedimiento con la cortina derecha.

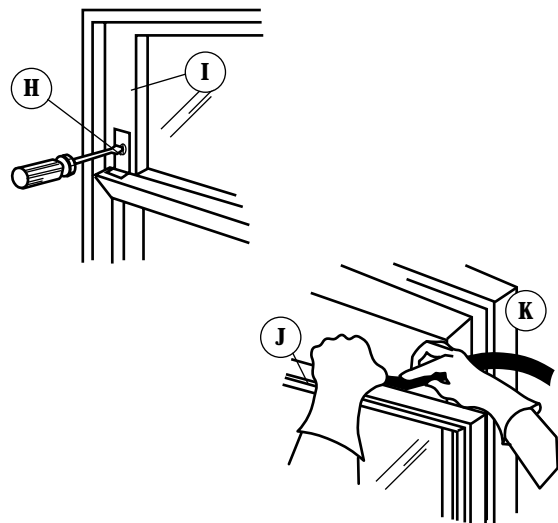
Inserte uno de los tornillos de cabeza redonda **(F)** a través de la cortina izquierda y dentro de la ranura de la ventana o a través de un orificio alternativo **(G)** en la parte superior de la cortina y dentro de la ranura de la ventana para asegurar la cortina al marco de la ventana. Repita el procedimiento para la cortina derecha



Para completar la instalación

NOTA: Instale un soporte de seguridad para la ventana para evitar que el acondicionador de aire se caiga de la ventana.

1. Coloque el soporte de seguridad para la ventana **(H)** en la parte superior de la ventana inferior y contra el marco de la ventana superior **(I)**.
2. Utilice una broca de barrena de 3/32" para perforar el primer orificio a través del orificio en el soporte.
3. Fije el soporte de seguridad para la ventana insertando uno de los tornillos de cabeza redonda ranurada a través del soporte de seguridad para la ventana **(H)** dentro del marco superior de la ventana **(I)**.
4. Inserte el obturador de espuma **(J)** detrás de la parte superior del marco de la ventana inferior **(K)** y contra el cristal de la ventana superior.
5. Enchufe el cable de suministro en el tomacorriente.



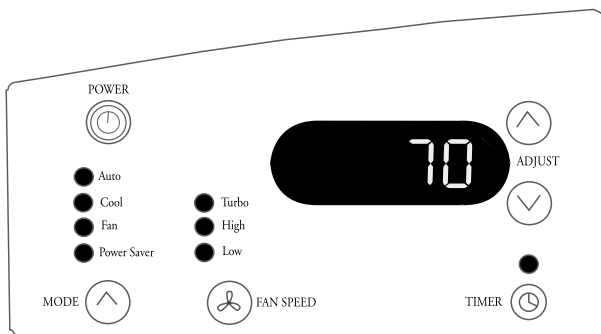
ES Cómo Usar Su Acondicionador de Aire

Operar debidamente su acondicionador de aire le ayuda a obtener los mejores resultados posibles. Esta sección le explica cómo operar su acondicionador de aire debidamente.

IMPORTANTE:

- Si usted apaga el acondicionador de aire y lo vuelve a encender, el ventilador se encenderá pero el compresor permanecerá apagado por 3 minutos antes de volver a ponerse en marcha. Esto evita que se queme un fusible del hogar o que se dispare un disyuntor de circuito a causa del acondicionador de aire.
- No trate de operar su acondicionador de aire en el modo de enfriamiento cuando la temperatura exterior sea menor de 65°F (18°C). El serpentín interior del evaporador se congelará y el acondicionador de aire no funcionará debidamente.

Cómo poner en marcha su acondicionador de aire



Presione el interruptor ON/OFF (Encendido/Apagado) para encender el acondicionador de aire. Cuando la unidad esté encendida, la pantalla mostrará los ajustes previos para MODE (Modo), FAN SPEED (Velocidad del ventilador) y la temperatura.



SELECCIÓN DE TEMPERATURA

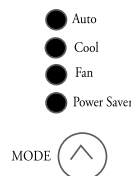
Oprima ▲ para subir la temperatura. Cada vez que usted oprima o mantenga oprimido ▲, la temperatura subirá 1°, hasta alcanzar los 86°F (30°C).

Oprima ▼ para bajar la temperatura. Cada vez que usted oprima o mantenga oprimido ▼, la temperatura bajará 1°, hasta alcanzar los 64°F (18°C).



SELECCIÓN DE MODO

Oprima el botón de MODE (Modo) hasta que se encienda la luz del indicador para la posición que usted desea. Seleccione AUTO ("Automático"), COOL ("Enfriamiento"), FAN ("Ventilación") o POWER SAVER ("Ahorro de energía").



AUTO ("AUTOMÁTICO") – Enfría la habitación mientras automáticamente controla la velocidad de ventilación. Usted no puede cambiar la velocidad de ventilación, pero puede ajustar la temperatura oprimiendo ▲ o ▼.

COOL ("ENFRIAMIENTO") – Enfría la sala. Usted puede seleccionar la velocidad de ventilación oprimiendo FAN SPEED ("Velocidad de la ventilación"). Luego podrá ajustar la temperatura oprimiendo ▲ o ▼.

FAN ("VENTILACIÓN") – El ventilador funciona en velocidad TURBO solamente. Sólo funciona el ventilador. La pantalla muestra "FO" (Sólo ventilación).

POWER SAVER ("AHORRO DE ENERGÍA") – El ventilador funciona únicamente cuando se necesita enfriamiento. El ventilador deja de funcionar cuando la temperatura de la sala es igual a la temperatura que usted seleccionó.

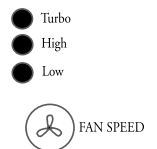
Oprima FAN SPEED hasta que vea la luz del indicador para la posición que usted desea. Elija TURBO, HIGH (Alta) o LOW (Baja).

Seleccione la temperatura oprimiendo ▲ o ▼.

SELECCIÓN DE LA VELOCIDAD DE VENTILACIÓN

NOTA: El botón de FAN SPEED funcionará únicamente cuando se ha seleccionado el modo de COOL o POWER SAVER.

Oprima FAN SPEED hasta que vea la luz del indicador para la posición que usted desea. Seleccione TURBO, HIGH o LOW.



TIMER DELAY ("RETARDO DEL TEMPORIZADOR")

El TIMER ("Temporizador") puede programarse para un retardo de 1 a 24 horas, hasta que el acondicionador de aire se encienda o se apague.

Oprima ▲ o ▼ para ajustar el tiempo de retardo.

Para programar el retardo del TIMER para apagar el acondicionador de aire, el acondicionador de aire debe estar en el modo de ON ("Encendido").



Oprima el botón de TIMER ("Temporizador"). (La luz del indicador se encenderá intermitentemente).

Oprima ▲ o ▼ para cambiar el tiempo de retardo (de 1 a 24 horas).

Oprima TIMER o espere 10 segundos. (La luz del indicador permanecerá encendida).

Para programar el retardo del TIMER para encender el acondicionador de aire, el acondicionador de aire debe estar en el modo de OFF ("Apagado").

Si desea cambiar los ajustes anteriores:

Encienda el acondicionador de aire.

Ajuste el MODE (modo) a AUTO (Automático), COOL (Frio), FAN (Ventilación) o POWER SAVER (Ahorro de energía).

Ajuste FAN SPEED ("Velocidad de ventilación") en TURBO, HIGH o LOW.

Ajuste la TEMPERATURA entre 64°F (18°C) y 86°F (30°C).

Apague el acondicionador de aire.

Oprima TIMER. (La luz del indicador se encenderá intermitentemente).

Oprima ▲ o ▼ para cambiar el tiempo de retardo (de 1 a 24 horas).

Oprima TIMER o espere 10 segundos.

Si desea mantener los ajustes anteriores:

Apague el acondicionador de aire.

Oprima TIMER. (La luz del indicador se encenderá intermitentemente.)

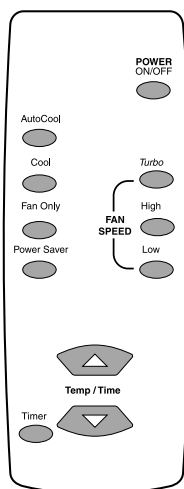
Oprima ▲ o ▼ para cambiar el tiempo de retardo (de 1 a 24 horas).

Oprima TIMER o espere 10 segundos.

Para borrar la programación del tiempo de retardo del TIMER, oprima y mantenga oprimido el botón de TIMER durante 3 segundos. La luz del indicador se apagará. El acondicionador de aire puede estar encendido o apagado.

Para ver el tiempo restante (en horas), oprima TIMER una vez después de que haya sido programado. Mientras la pantalla muestra el tiempo restante, usted puede oprimir ▲ o ▼ para aumentar o disminuir el tiempo.

Para poner en marcha el acondicionador de aire con el control remoto



NOTA: Las dos pilas AA (no incluidas) suministran energía al control remoto. Reemplace las pilas después de seis meses de uso, o cuando el control remoto empiece a perder energía. Asegúrese de instalar pilas con la polaridad correcta.

Para encender o apagar el acondicionador de aire: oprima el botón de POWER ON/OFF ("Encendido/apagado").



Para subir la temperatura: oprima el botón ▲. Cada vez que usted oprime o mantiene oprimido el botón ▲, la temperatura sube 1° hasta que alcanza los 86°F (30°C).



Para bajar la temperatura: oprima el botón ▼. Cada vez que usted oprime o mantiene oprimido el botón ▼, la temperatura baja 1° hasta que alcanza los 64°F (18°C).

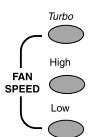


NOTA: En el caso de un corte de corriente, cuando vuelva a funcionar la energía su acondicionador de aire funcionará con los ajustes previos.

Para seleccionar el modo: oprima el botón AutoCool ("Enfriamiento automático"), Cool ("Enfriamiento"), Fan Only ("Sólo ventilación") o Power Saver ("Ahorro de energía"). Cuando el acondicionador de aire funciona en el modo de AutoCool, la velocidad de ventilación se ajusta automáticamente. Cuando el acondicionador de aire funciona en el modo de Fan Only, la velocidad de ventilación se ajusta automáticamente en Turbo. Cuando el acondicionador de aire funciona en el modo de Cool o Power Saver, usted puede ajustar la velocidad de ventilación.



Para seleccionar la velocidad de ventilación (solamente en el modo de Cool o Power Saver): oprima el botón de Turbo, High o Low.



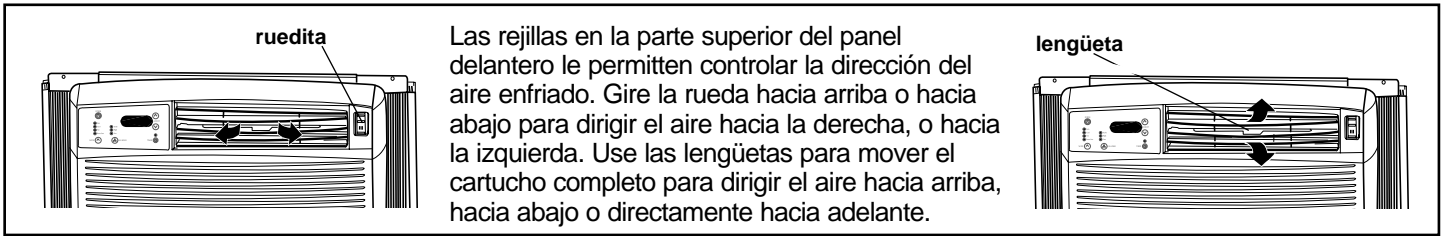
Para fijar el temporizador en un tiempo de retardo de 1 a 24 horas hasta que se encienda el acondicionador de aire (el acondicionador tiene que estar en el modo OFF):

1. Oprima el botón del temporizador.
2. Oprima el botón ▲ para cambiar el tiempo de retardo (de 1 a 24 horas).
3. Oprima el botón del temporizador nuevamente o espere 10 segundos.

Para fijar el temporizador en un tiempo de retardo de 1 a 24 horas hasta que se apague el acondicionador de aire (el acondicionador tiene que estar en el modo ON):

1. Oprima el botón del temporizador.
2. Oprima el botón ▲ para cambiar el tiempo de retardo (de 1 a 24 horas).
3. Oprima el botón del temporizador nuevamente o espere 10 segundos.

Cómo cambiar la dirección del aire



Ahorro de energía

Además de usar el modo de POWER SAVER (“Ahorro de energía”) (en algunos modelos), usted puede hacer muchas cosas para ayudar a ahorrar energía:

- Mejore el aislamiento de su hogar. Selle las puertas y ventanas. Cierre el tiro de la chimenea.
- Cierre las persianas o cortinas en el lado soleado de su hogar. Coloque toldos.
- Asegúrese de que las cortinas o los muebles no bloqueen el aire que sale del acondicionador de aire.
- Apague las luces y los aparatos electrodomésticos cuando no los esté usando.
- Ventile el desván. Las temperaturas altas en el desván aumentan la carga de enfriamiento de su acondicionador de aire.
- Trate de no usar aparatos que producen calor en las horas más calurosas del día.
- Mantenga cerrados los registros de calor y las tomas de retorno del aire frío.
- Use ventiladores aspiradores cuando esté cocinando, lavando la ropa o bañándose.

Ruidos normales

Cuando el acondicionador de aire está funcionando normalmente, usted podrá escuchar sonidos como:

- Gotas de agua que caen sobre el condensador, produciendo “tintineos” o “chasquidos”. Las gotas de agua ayudan a enfriar el condensador.
- El movimiento del aire que sale del ventilador.
- Chasquidos del ciclo del termostato.
- Vibraciones o ruidos debidos a deficiencias en la construcción de la pared o ventana.
- Un zumbido agudo o un ruido pulsante producido por la alternación de los ciclos del moderno compresor de alta eficiencia.

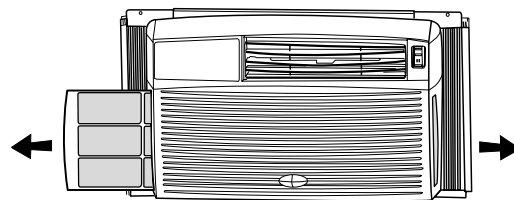
ES Cómo Cuidar Su Acondicionador de Aire

Su nuevo acondicionador de aire está diseñado para darle muchos años de servicio confiable. Esta sección le da la información acerca de la limpieza adecuada y el cuidado de su acondicionador de aire. Llame al vendedor autorizado de su localidad para un chequeo anual. Acuérdesse...el precio de esta llamada de servicio es su responsabilidad.

Limpieza del filtro de aire

El filtro de aire puede quitarse de cualquiera de los lados de la unidad para una limpieza fácil. Un filtro limpio ayuda a quitar el polvo, las pelusas y otras partículas del aire, y es importante para que el aparato caliente y enfríe más eficientemente. Revise el filtro cada dos semanas para ver si necesita limpieza. No haga funcionar el acondicionador de aire si el filtro no está colocado en su lugar.

1. Desenchufe el acondicionador de aire o desconecte el suministro de energía.
2. Deslice el filtro de aire hacia afuera desde cualquiera de los lados de la unidad.
3. Limpie el filtro de aire usando una aspiradora. Si está muy sucio, lave el filtro de aire con agua tibia y un detergente suave. No lave el filtro de aire en la lavavajillas ni use limpiadores químicos. Seque bien el filtro al aire antes de colocarlo nuevamente para asegurarse la máxima eficiencia.
4. Deslice el filtro de aire hacia adentro en cualquiera de los lados de la unidad.
5. Enchufe el acondicionador de aire o vuelva a conectar el suministro de energía.



El filtro puede quitarse de cualquiera de los lados.

Limpieza del panel delantero

1. Desenchufe el acondicionador de aire o desconecte el suministro de energía.
2. Limpie el panel delantero con un paño suave y húmedo.
3. Seque el panel delantero al aire completamente.
4. Enchufe el acondicionador de aire o vuelva a conectar el suministro de energía.

Reparación de la pintura dañada

Revise una o dos veces al año si hay daños en la pintura. Esto es muy importante, especialmente en lugares que están cerca de los océanos o donde la herrumbre es un problema. Si es necesario, retoque con un esmalte de buena calidad.

NOTA: Para reducir el daño a la pintura durante el invierno, instale una cubierta resistente sobre el gabinete del acondicionador de aire. Para información sobre cómo pedir una cubierta resistente, vea la sección de "Accesorios".

Mantenimiento anual

Su acondicionador de aire necesita mantenimiento anual para ayudar a asegurar un rendimiento constante de la mejor calidad durante todo el año. Llame al vendedor

autorizado de su localidad para hacer una cita para el chequeo anual. El precio del chequeo anual es su responsabilidad.

ES Diagnóstico de Problemas

Usted puede resolver fácilmente muchos problemas frecuentes del acondicionador de aire ahorrándose el costo de una llamada de servicio. Pruebe las sugerencias que se incluyen a continuación para ver si puede resolver el problema sin ayuda.

Su acondicionador de aire no funcionará.

Verifique si ...	Solución ...
El cable de alimentación eléctrica está desconectado.	Conecte firmemente el cable de alimentación eléctrica en un tomacorriente activo con el debido voltaje.
Se ha fundido un fusible de la casa o disparado un disyuntor.	Reemplace el fusible o reposicione el disyuntor. Asegúrese de que el acondicionador de aire esté conectado a un tomacorriente activo debidamente puesto a tierra como se describe en las instrucciones de instalación.
El FAN SPEED (Velocidad de ventilación) se ha fijado en la posición de apagado (en algunos modelos).	Fije el FAN SPEED en una posición activa.
Se ha interrumpido la energía eléctrica en su localidad.	Espere que se restablezca la energía eléctrica.

El acondicionador de aire funde los fusibles o dispara los disyuntores.

Verifique si ...	Solución ...
Se están usando muchos aparatos en el mismo circuito.	Desconecte o ponga en otro lugar los aparatos que estén usando el mismo circuito.
Se está usando un fusible de retardo o un disyuntor con la capacidad incorrecta.	Reemplácelo con un fusible de retardo de 15 amperios o un disyuntor con la capacidad correcta. Verifique la capacidad correcta en la sección de "Requisitos eléctricos", de las instrucciones de instalación.
Se está usando un cordón de extensión.	No use un cordón de extensión con este ni cualquier otro aparato.
Usted está tratando de volver a poner en marcha el acondicionador de aire muy poco tiempo después de apagar el FAN SPEED (o desconectar el acondicionador de aire en algunos modelos).	Espere por lo menos 3 minutos antes de poner en marcha el acondicionador de aire después de apagar el FAN SPEED.

Parece que el acondicionador de aire funciona excesivamente.

Verifique si ...	Solución ...
Su actual acondicionador de aire reemplazó un modelo viejo.	El uso de componentes más eficientes puede hacer que el acondicionador de aire funcione por más tiempo que su antiguo modelo, pero el consumo total de energía será menor. Los acondicionadores de aire más nuevos no emiten las "ráfagas" de aire frío a las que usted estaba acostumbrado con sus unidades anteriores, pero esto NO ES indicio de menor capacidad o eficiencia en el enfriamiento. Verifique el régimen de eficiencia (EER) y el régimen de capacidad (en BTU/hr.) que se indican en el acondicionador de aire.
La unidad se encuentra en una habitación muy congestionada o se están usando en la misma habitación aparatos que generan calor.	Use ventiladores aspiradores cuando esté cocinando o bañándose y trate de no usar aparatos que generan calor durante las horas más calurosas del día. Podría necesitar un acondicionador de aire con más capacidad, dependiendo del tamaño de la habitación que se desea enfriar.

La unidad se enciende y se apaga demasiado.

Verifique si ...	Solución ...
El FAN CONTROL ("Control de la ventilación") está puesto en POWER SAVER ("Ahorro de energía") (en algunos modelos)	Utilice el modo de POWER SAVER únicamente cuando esté fuera de su hogar o durmiendo, debido a que el ventilador no hace circular el aire de la sala continuamente. Para mayor comodidad use LOW COOL (Enfriamiento bajo), HIGH COOL (Enfriamiento alto) o TURBO COOL (Enfriamiento turbo).
El acondicionador de aire no tiene el tamaño adecuado para su habitación.	Verifique la capacidad de enfriamiento de su acondicionador de aire. Los acondicionadores de aire para habitaciones no están diseñados para enfriar varias habitaciones.
El filtro está sucio u obstruido por escombros.	Limpie el filtro. Ver "Limpieza del filtro de aire".
Hay demasiado calor o humedad (se está cocinando en recipientes abiertos, duchas, etc.) en la habitación.	Use un ventilador para eliminar el calor o la humedad de la habitación. Trate de no usar aparatos que generan calor durante las horas más calurosas del día.
Las rejillas están boqueadas.	Instale el acondicionador de aire en un lugar donde las rejillas no estén bloqueadas por cortinas, persianas, muebles, etc.
La temperatura exterior es inferior a los 65°F (18°C).	No trate de poner en marcha el acondicionador de aire en el modo de enfriamiento cuando la temperatura exterior sea inferior a los 65°F (18°C).
La temperatura de la habitación que está tratando de enfriar está demasiado caliente.	Deje pasar más tiempo para que el acondicionador de aire enfríe una habitación muy caliente.
Están abiertas ventanas o puertas que dan al exterior.	Cierre todas las puertas y ventanas.
El Control de TEMPERATURE (Temperatura) no está en una posición lo suficientemente fría.	Ajuste el Control de TEMPERATURE a una posición más fría girando la perilla en la dirección de las manecillas del reloj. Ponga el FAN SPEED en TURBO COOL (en algunos modelos).
El acondicionador de aire está instalado en el lado soleado de su casa.	Instale su acondicionador de aire en una ventana con más sombra.

Se filtra agua del gabinete a su casa.

Verifique si ...	Solución ...
El acondicionador de aire no está debidamente nivelado. El acondicionador de aire debe inclinarse ligeramente hacia abajo, hacia el exterior.	Nivele el acondicionador de aire de manera que tenga una inclinación hacia abajo, hacia el exterior (1/2 burbuja en un nivel de carpintero) para asegurar el debido desagüe. Vea las instrucciones de instalación. Mueva el gabinete o ponga un calce, según sea necesario. NOTA: NO perforo agujeros en la parte inferior de la base de metal y del colector de condensado.

ES Accesorios

Usted puede ordenar los siguientes accesorios para su acondicionador de aire en la tienda de aparatos electrodomésticos de su localidad o llamando a los números indicados a continuación.

En los Estados Unidos

Para pedir accesorios, llame al número gratuito del Centro de interacción con el cliente al **1-800-531-1301** o visite nuestro sitio en la red:

www.applianceaccessories.com. Escuchará una grabación. Siga las instrucciones para hacer un pedido.

En Canadá

Para pedir accesorios, llame sin costo al **1-800-807-6777**.

Filtros de aire de reemplazo

Un filtro de aire limpio y de buena calidad es importante para obtener el mejor enfriamiento con el menor consumo de energía. Limpie regularmente el filtro de aire. Vea las instrucciones de limpieza en la sección de "Cómo Cuidar su Acondicionador de Aire."

Cubierta resistente

Si usted decide dejar instalado su acondicionador de aire durante el invierno, una cubierta resistente ayudará a proteger su aparato y reducir las corrientes de aire. La cubierta protege contra las corrientes de aire frío a través de los orificios de paso de aire de la unidad y protege el gabinete contra la nieve, la lluvia, el agua, la nieve, la oxidación y el polvo.

Para evitar llamadas de servicio innecesarias, revise la sección de "Diagnóstico de problemas". Podría ahorrarle el costo de una llamada de servicio. Si aún necesita ayuda, siga las siguientes instrucciones.

Si necesita ayuda o servicio técnico

En los Estados Unidos:

Llame al Centro de Interacción con el Cliente. Llame gratis al **1-800-253-1301**. Nuestros consultores están disponibles para ayudarlo.

En Canadá:

Para obtener ayuda, llame al número gratuito del Centro de interacción con el cliente al **1-800-461-5681** de lunes a viernes, de 8.00 AM a 6.00 PM (Hora estándar del este), y los sábados de 8.30 AM a 4.30 PM (Hora estándar del este).

Para obtener servicio, llame al **1-800-807-6777**. Los técnicos de servicio designados están capacitados para hacer cumplir la garantía del producto y proporcionar servicio posterior a la garantía, en cualquier parte de Canadá.



Cuando llame, tenga a mano la fecha de compra y el número de modelo y el número de serie completos de su aparato (ver la sección "Una nota para usted"). Esta información nos ayudará a atender mejor a su pedido.

Nuestros consultores le proporcionan ayuda para:

- Características y especificaciones para nuestra línea completa de aparatos electrodomésticos
- Información sobre instalación
- Procedimientos de uso y mantenimiento
- Ventas de accesorios y refacciones
- Asistencia especializada al cliente (asistencia en español, para personas con problemas auditivos, problemas de la vista, etc.)
- Direcciones de vendedores, compañías de servicio y distribuidores de refacciones en su localidad.

Nuestros técnicos en servicio están capacitados para satisfacer la garantía del producto y proporcionar servicios posteriores a la garantía, en cualquier parte de los Estados Unidos.

Para localizar a una compañía de servicios autorizada en su área, puede buscar en las páginas amarillas de su Guía Telefónica.

Si necesita refacciones

Si necesita pedir refacciones, le recomendamos que utilice únicamente partes autorizadas por la fábrica. Estas partes se adaptarán y funcionarán correctamente porque han sido hechas siguiendo las mismas rigurosas especificaciones utilizadas para construir todas los nuevos aparatos electrodomésticos.

Para localizar partes autorizadas por la fábrica en su localidad, llame al Centro de Interacción con el Cliente, al centro de servicio autorizado más cercano o Servicio de Fábrica al **1-800-253-1301**, o en Canadá, **1-800-807-6777**.

Para asistencia adicional

Si necesita asistencia adicional puede escribir para hacernos cualquier pregunta o comunicarnos sus problemas, a:

Customer Interaction Center
553 Benson Road
Benton Harbor, MI 49022-2692

O en Canadá:

Customer Interaction Center
1907 Minnesota Court
Mississauga, Ontario L5N 3A7

Por favor incluya en su correspondencia un número de teléfono en el que se le pueda localizar durante el día.